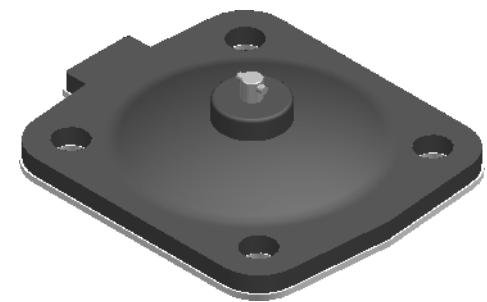
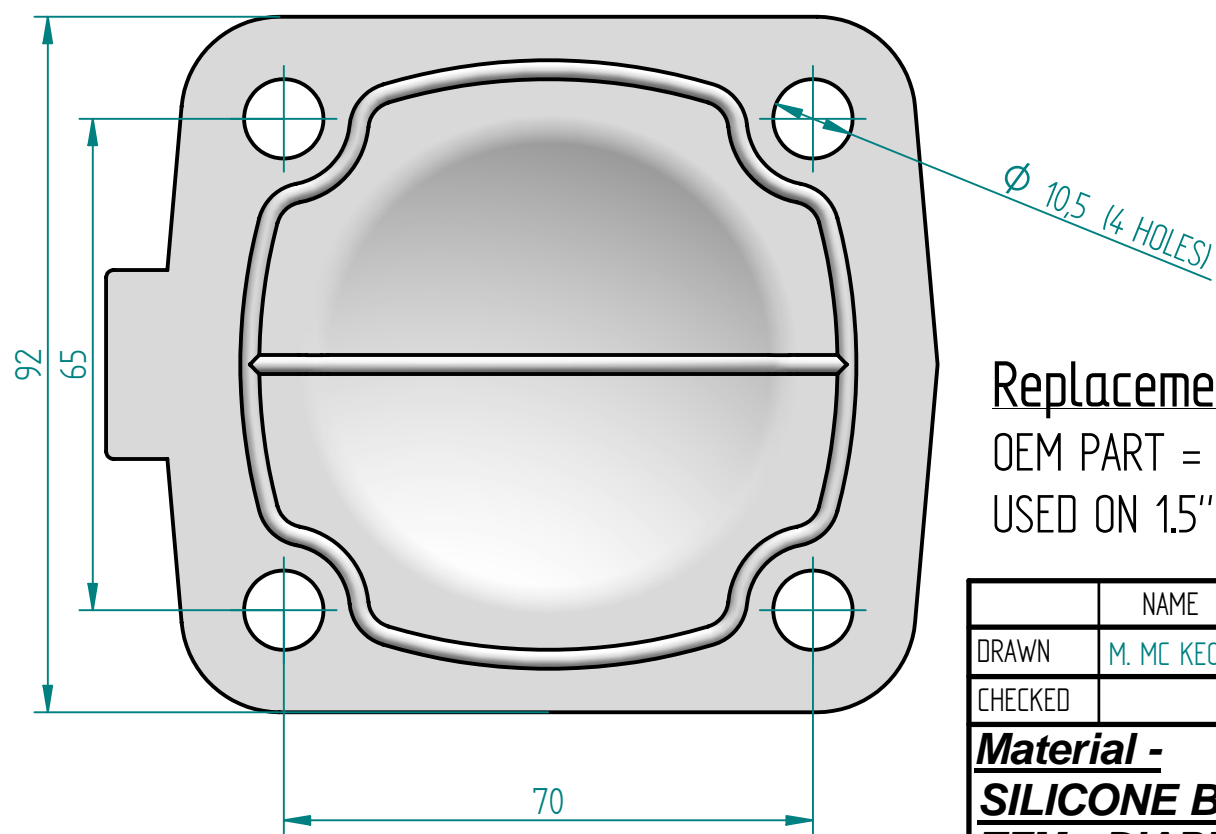
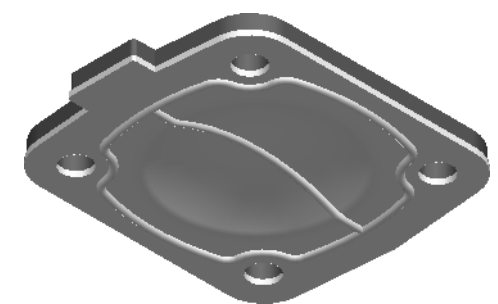


REVISION HISTORY			
REV	DESCRIPTION	DATE	APPROVED
A	New OEM PART - A-040EX-1.5"	09/03/22	JB



SCALE
1:2



Replacement Diaphragm for :-
 OEM PART = A-040EX-1.5"
 USED ON 1.5" (DN40) Diaphragm Valve

	NAME	DATE	
DRAWN	M. MC KEON	03/08/22	
CHECKED			
Material - SILICONE BACKING TFM - DIAPHRAGM			TITLE
Complies with CFR 177.2600 and Conforms to USP Class VI Biological Reactivity Tests Section #87 and #88			DD15-STFM-X
SIZE	FOOT PRINT DIMENSIONS		REV
A			A
FILE NAME: DD15-STFM-X.dft			
SCALE: 1 : 1	Job: 40	SHEET 1 OF 1	

Disclaimer - Diaphragm Direct® does not manufacture, represent, nor sell OEM valves or diaphragms manufactured by any other company. Diaphragm Direct® brand diaphragms are not sponsored by any other manufacturers. Any name, model, part number, brand, image, material or referral is for descriptive purposes only. Diaphragm Direct® brand replacement diaphragms are guaranteed to fit OEM equipment and meet or exceed OEM specifications. Diaphragm Direct® brand replacement diaphragms are covered by the standard Diaphragm Direct® limited product warranty.